

AVANOS

MIC-KEY* G-TUBE

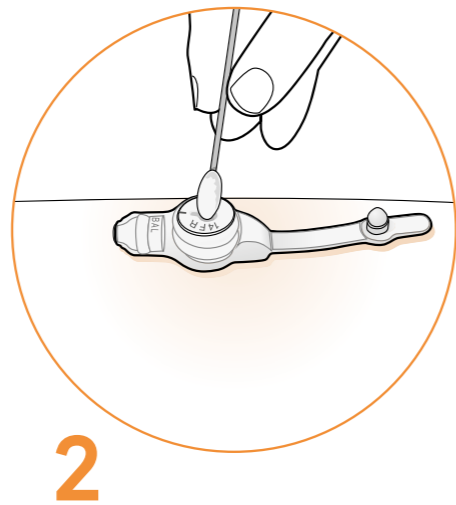
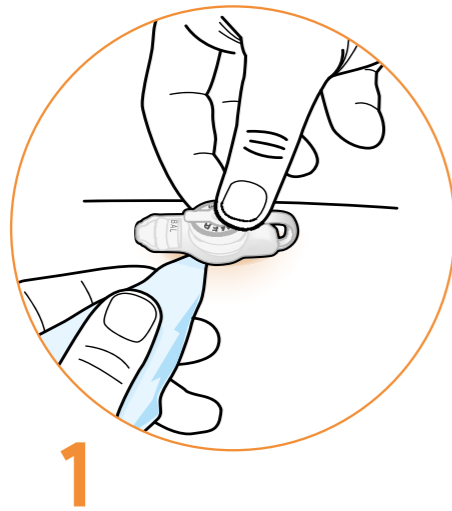
Golden Rules for Daily Care
of a healed stoma tract



Care of the MIC-KEY* G-tube

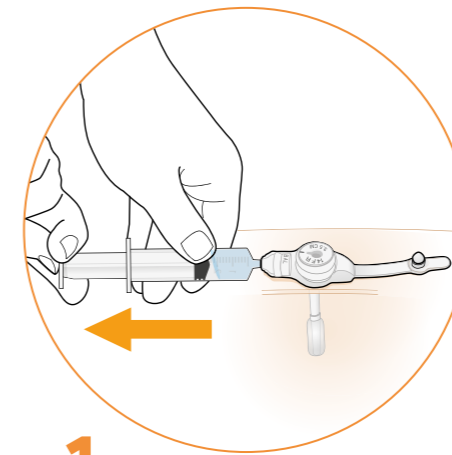
Daily Care

- Always wash hands with soap and water and dry before handling the tube.
- Inspect the stoma site for signs of redness and irritation. If this occurs, please contact your medical professional.
- Clean the tube and the skin surrounding the tube daily with mild soap and water, rinse and dry thoroughly or as directed by your managing Healthcare Professional (1).
- Open the cap of the tube and clean the outside of the feeding port carefully with a cotton tipped applicator (2).
- Do not use any dressings under the MIC-KEY* G-tube, unless clinically indicated.

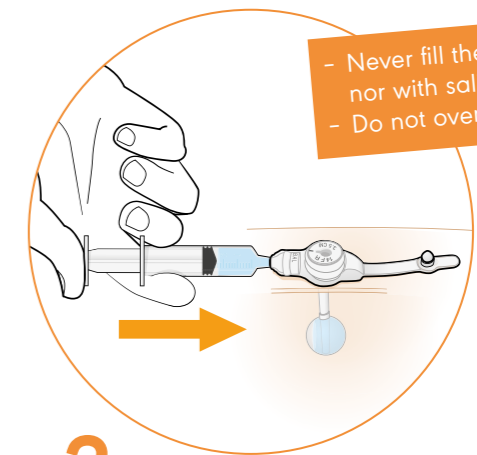


Every 2 weeks

- Check the volume of water in the balloon every 2 weeks. Ensure the tube is held in place when deflating the balloon so it does not fall out.



To do this, attach the Luer slip syringe to the balloon port and withdraw all the water while leaving the feeding tube in place.

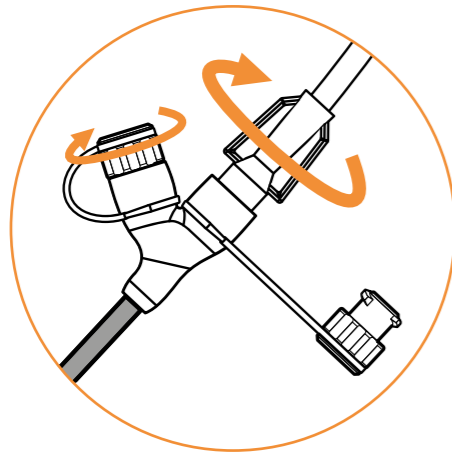


If there is less fluid than the amount originally prescribed, reinject the liquid and further fill it up with sterile or distilled water to reach the prescribed amount.

- Gently rotate the MIC-KEY* G-tube a full circle plus a quarter turn in the stoma before you clean it.
- Replace the extension set with a new one.

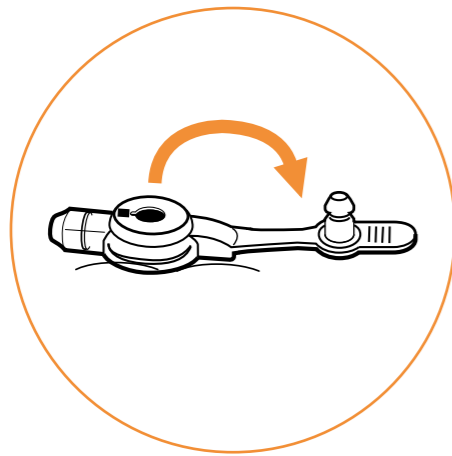


Attachment of the MIC-KEY* Extension Set



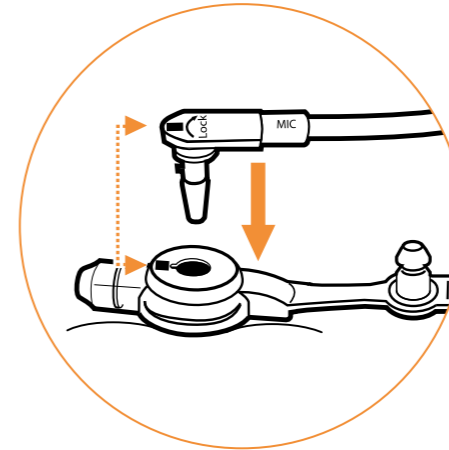
1

Connect the extension set to the feeding set and fill the line with feeds up till 2-3 cm from the end. Close the roller clamp on the feeding set and the white quick release clamp.



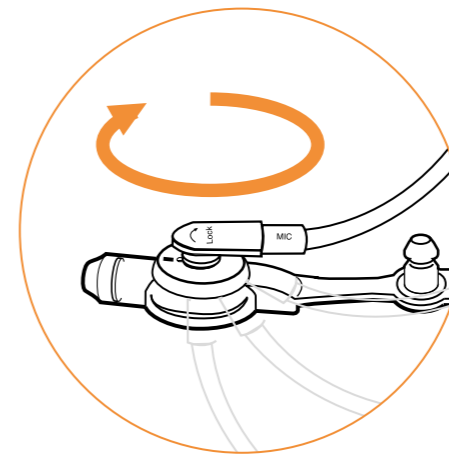
2

Open the closure cap of the MIC-KEY* G-tube.



3

Align the black line on the extension set with the black line on the feeding port and insert the "nose" of the SECUR-LOK* connector into the feeding port.

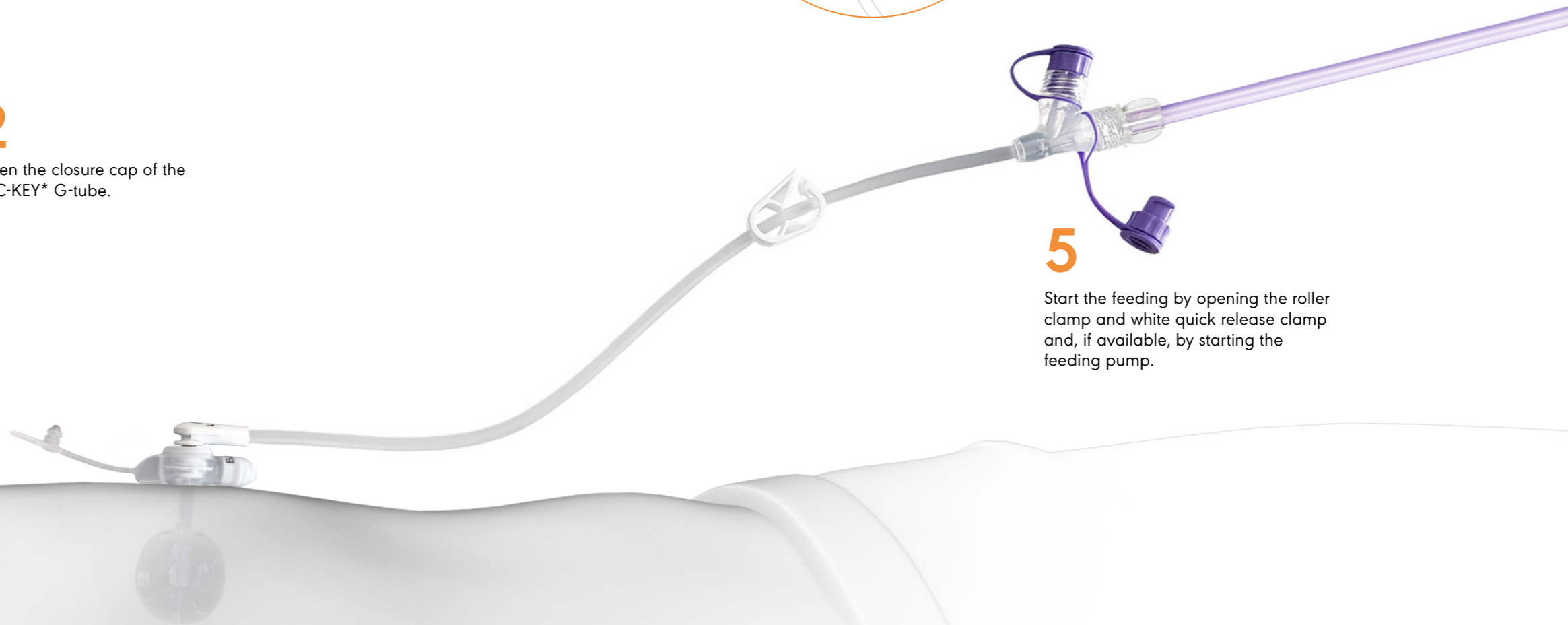


4

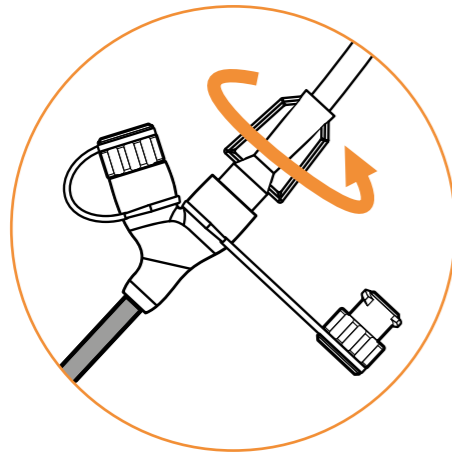
Rotate it one quarter turn clockwise.

5

Start the feeding by opening the roller clamp and white quick release clamp and, if available, by starting the feeding pump.

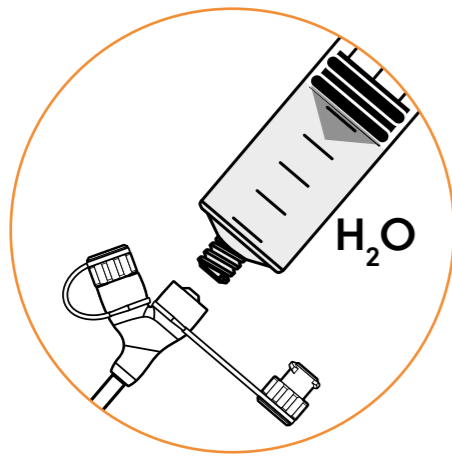


Detachment of the MIC-KEY* Extension Set



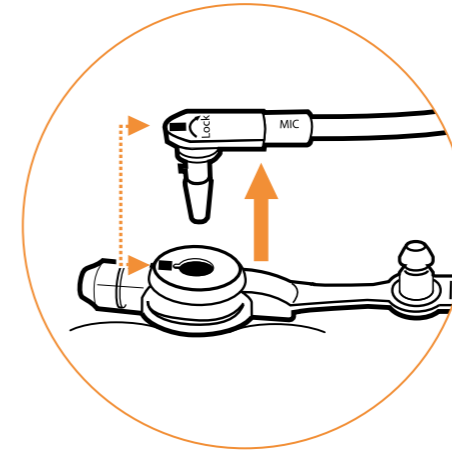
1

It's recommended to disconnect the extension set from the MIC-KEY* G-tube after feeding, work as follows: Disconnect the feeding set from the extension set.



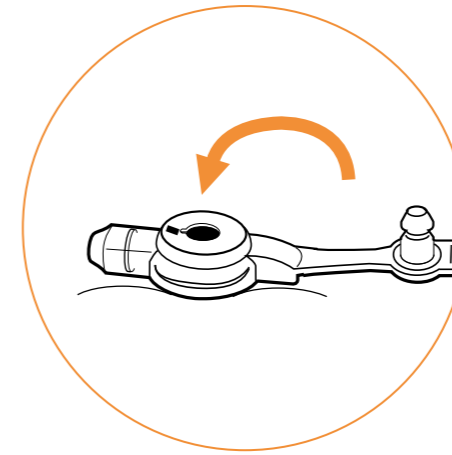
2

Using your ENFit® syringe, flush the extension set with 10-20 ml of water (or a lower amount if you're volume sensitive. Consult your medical professional.)



3

Disconnect the extension set from the MIC-KEY* G-tube by rotating it counterclockwise until the black line on the feeding port lines up with the black line on the extension set.



4

Gently detach the extension set and cap the MIC-KEY* tube.

Maintenance and storage of the MIC-KEY* extension set

- Wash the extension set in warm, soapy water immediately after each use.
- Rinse thoroughly and store in a dry, clean place.
- For functionality and hygienic reasons this extension set should be replaced at least every two weeks.



AVANOS

Hints and Tips

- Do not feed using the tube if you're not sure of the correct tube placement. Check proper tube placement following methods recommended by your healthcare professional.
- Ensure you always have a replacement tube available. If your current tube accidentally falls out, the new tube needs to be inserted immediately. Insert it into the stoma, but don't insufflate the balloon, as this needs to be done by a healthcare professional. Tape the tube on the skin. Stop feeding immediately and contact your healthcare professional.
- Do not use dressings under the MIC-KEY* G-tube.
- Always flush the tube with water before and after feeding and medications.
- Do not overinflate the balloon.
- Your medical professional will help you decide when to replace your MIC-KEY* G-Tube. We recommend you change your tube every 3 months to maintain best results, hygiene and stoma health. Your tube was designed to function properly for 3 months of normal use (see Instructions for Use)

Administration of medication

- Fill the ENFit® syringe with water, connect to the extension set and fill the extension set with water up till 2-3 cm from the end. Close the quick release clamp and connect the extension set to the feeding tube. Disconnect the syringe from the extension set and empty it.
- Crush the medication (pills or capsules) and mix with lukewarm water or as directed by your pharmacist.
- Fill the contents into the ENFit® syringe. Connect to the extension set, open the quick release clamp and inject the content into the tube.
- Close the clamp again, disconnect the syringe, fill the syringe with water and flush again. Disconnect the extension set and close the cap. Clean as earlier described.
- Never mix different medications. Always administer them one after the other, after having flushed the extension set with water.
- Never add medication to the tube feeds or home brewed feed.

In case of any additional questions

Nutrition Support Nurse
of the hospital:

Phone:

Home Care organisation:

Phone:

Home Care Nurse:

Phone:

Dietitian:

Phone:

IMPORTANT NOTE

The above-mentioned guidelines are only recommendations for an appropriate care of the tube. These should only be followed when no instructions are available from the placing doctor or the local hospital. The Avanos guidelines can under no circumstances overrule the local medical or nursing guidelines. The end responsibility for the treatment should remain with the placing doctor. There are inherent risks in all medical devices. Please refer to the product labeling for Indications, Cautions, Warnings and Contraindications.

IRL: Uniphar Hospital Services, T: +353 1 468 84 56 - E: unipharhospitalservices@uniphar.ie
Other countries: Avanos, T: +32 2 700 68 51 - E: customerservice.export@avanos.com